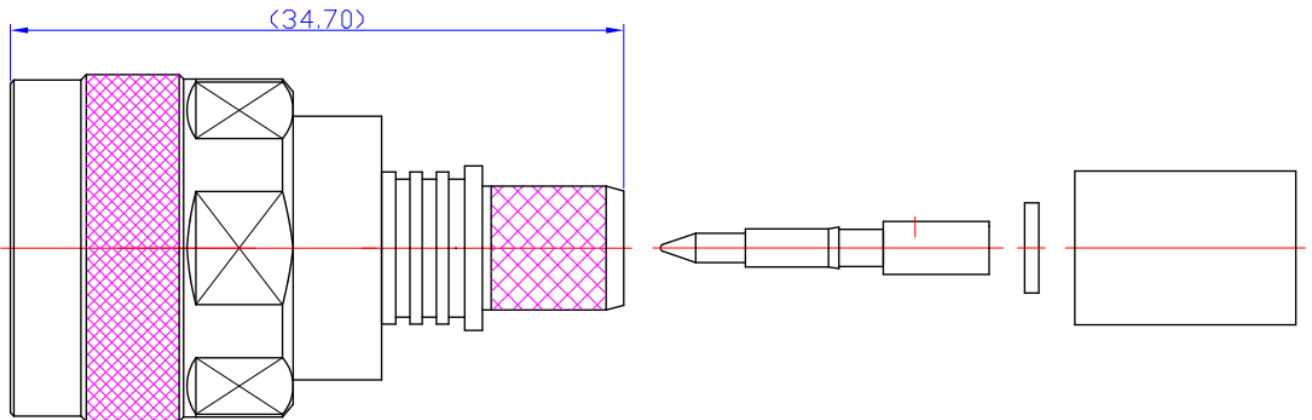




Product Specifications

NM-KSR300



1 Product Structure

	Designation	Material	Plating
1	Center Conductor	Brass	Au
2	Insulator	PTFE	-
3	Outer Conductor	Brass	Ni

2 General Specifications

Interface	N male
Body Style	Straight
Durability	≥ 500
Adapter cable	KSR300

3 Electrical Specifications

Impedance	50 Ω
Operating Frequency Band	DC to 11GHz
VSWR	≤1.15(DC-3GHz)
Dielectric withstanding voltage	1500V
Insulation resistance	≥ 5000MΩ
Contact resistance	Centre contact ≤1.5m Ω Outer contact ≤0.2m Ω

4 Environment Specifications

Operating Temperature	-40°C to +85°C
Immersion Test Method	IEC 60529:2001, IP67

5 Document Revision Information

Revision	Description
A0	First revision